

SID 4.0 STEP MOTION SYSTEM (FOUR AMPS / COIL DRIVERS)

OPERATION AND INSTALLATION MANUAL

SECTION 1: SID DRIVER CASE

THE	MOTION	GROUP	SERVICE CENTER
			800-424-STEP
motiongroup.com			
PO BOX 669 CLOVIS, CA 93613-0669 TEL: 559-325-2727 FAX: 559-325-7117			

General Description. The SID 4.0 (4 amps/coil) series is identical to the SID 2.0 series with the following exceptions:

- 1) The unit supports 4 amps of motor current; factory pre-set is 4 amps.
- 2) The unit may require additional heat-sinking across the entire bottom of the enclosure if enclosure is too hot to touch (105° F).
- 3) The unit supports Full, Half, Quad (pre-set), and Octal stepping angle.
- 4) All units are Auto-Park (AP); park power is pre-set to 50% of the current adjustment dial.

Current and Step Angle Setting. To remove the lid and access the amplifier card settings, remove the 10 hexhead screws. Set the box on a side and fold the lid outward until it just lays flat. Do not pull or relocate the wiring.

As required, adjust the blue pot located on the card edge to the percentage of 4 amps for the desired output current; normally set to 100% (4.0 amps) or full CW.

Select the two jumper blocks for the desired step angle per the following table.

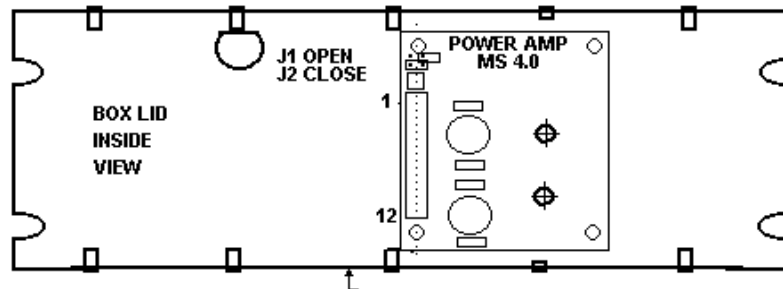
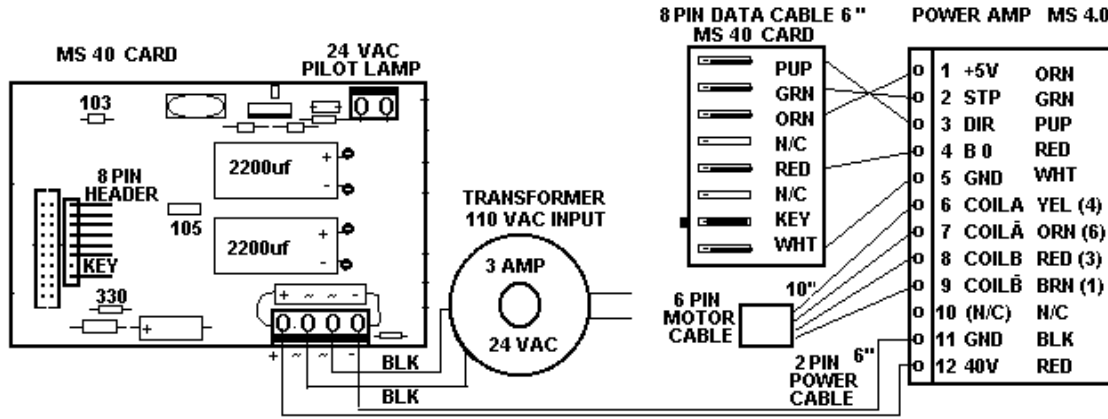
<u>JP1</u>	<u>JP2</u>	<u>STEP ANGLE</u>	
OPEN	OPEN	1/8 STEP	(not recommended)
OPEN	JUMP	1/4 STEP	(factory pre-set)
JUMP	OPEN	1/2 STEP	(not recommended)
JUMP	JUMP	1/1 STEP	(used for hi-speed or hi-power only)

**NO OTHER SERVICE IS POSSIBLE. CALL THE TMG SERVICE CENTER
FIRST !**

SID 4.0 SMD ASSEMBLY TOP VIEW

MS4SID WIRING FOR SID4 ASSY.

WIN/MS/MS4SID REV: 04-00



SMD ASSEMBLY POWER SUPPLY WIRING DIAGRAM

